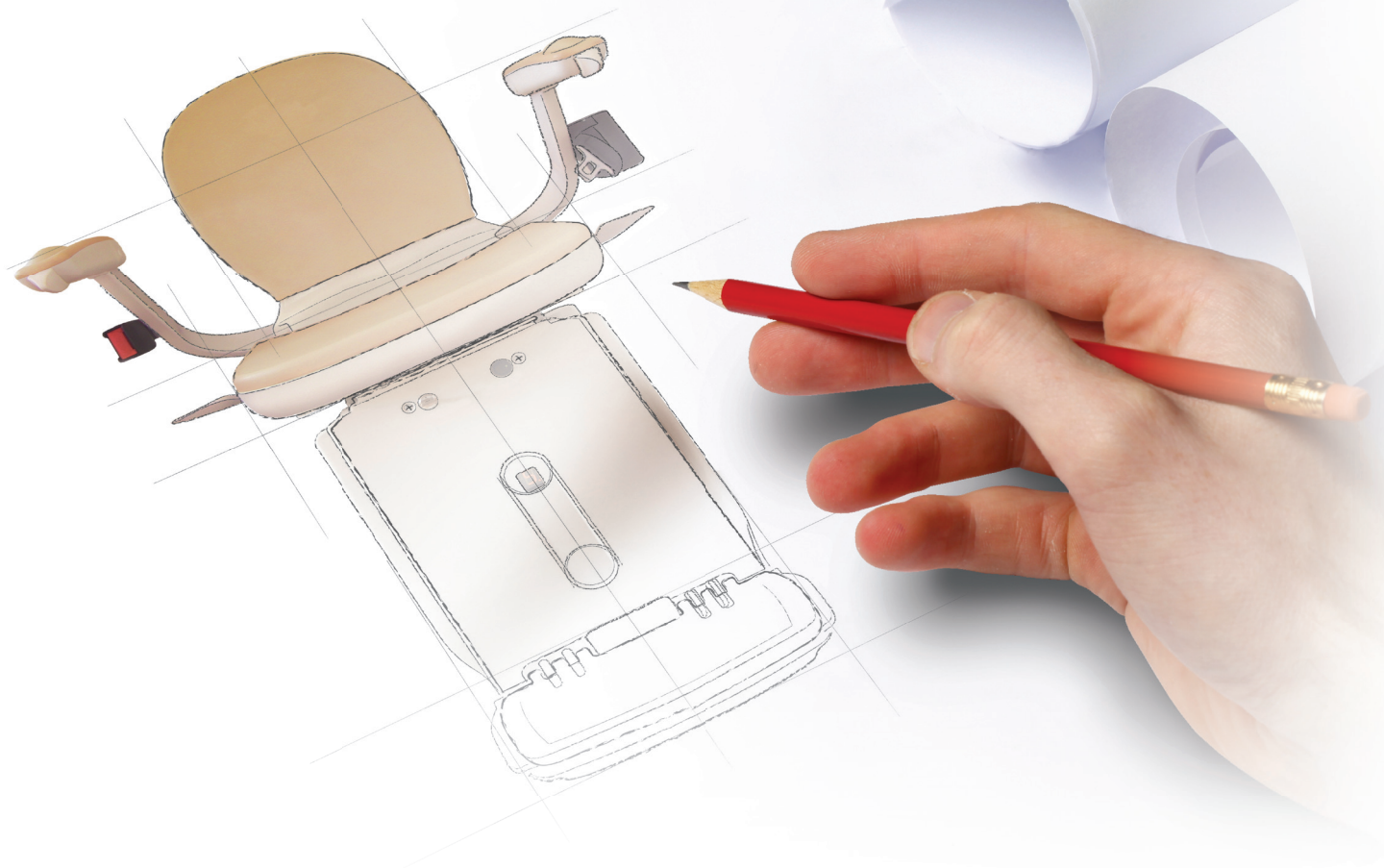
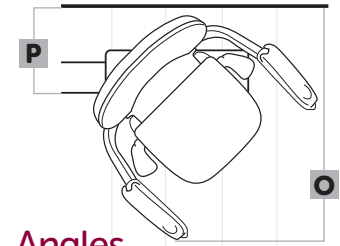
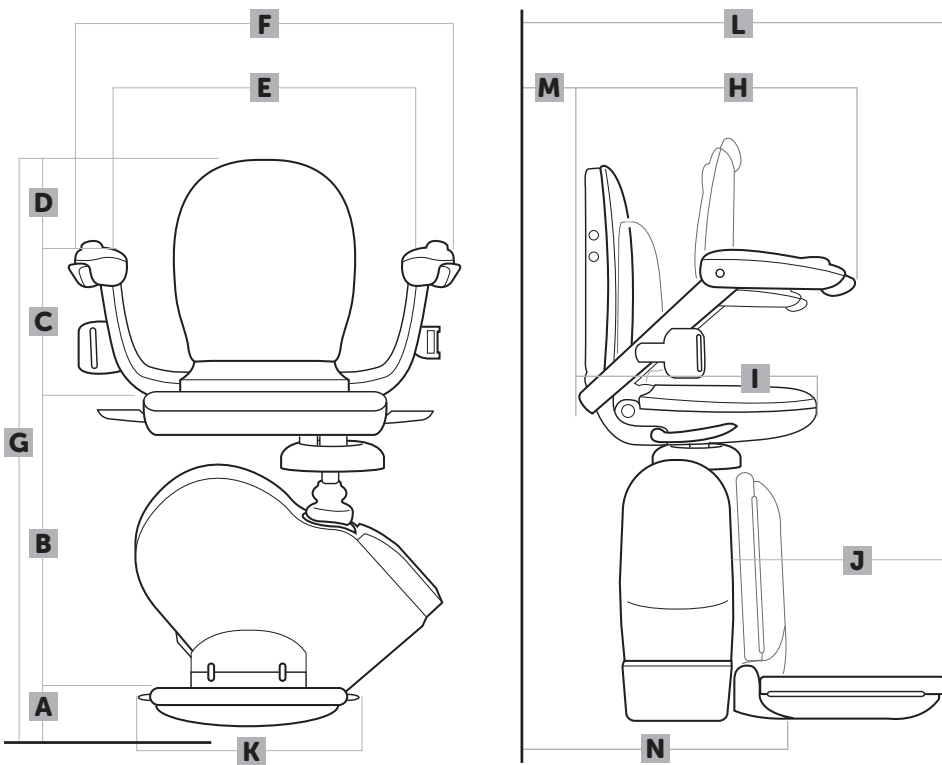


Technical Specifications



Acorn 130 Superglide / Outdoor



Angles

Standard Indoor 130

Short seat post	40-55
Standard seat post	29-55°
Tall seat post	23-55°

Power Swivel 130 (indoor only)

Standard seat post	36-55°
Tall seat post	23-55°

Outdoor 130

Standard seat post	27-55°
--------------------	--------

Hinge Section 130 (indoor only)

RF Auto hinge folds back	120°
Manual hinge folds back	130°

Maximum Rail Length

10 metres	394 inches
-----------	------------

Specifications

Dimensions

	mm	inch
A Floor to top of footrest	95	3³/₄
B Top of footrest to top of seat (Short) (Tall)	445 (410) (505)	17¹/₂ (16¹/₄) (19³/₄)
C Top of seat to top of arms	250	9³/₄
D Top of arms to top of seat back	190	7¹/₂
E Width between armrests (Wide arm version)	445 (495)	17¹/₂ (19¹/₂)
F Overall width	605	23³/₄
G Overall height to floor	980	38¹/₂
H Length of arms from seat back	470	18¹/₂
I Length of seat base from seat back	435	17
J Length of footrest	325	12³/₄
K Width of footrest	310	12¹/₄
L Front of footrest to stringer	570	22¹/₂
M Back of seat to stringer	13	1/2
N Folded width	310	12¹/₄
O Minimum width required to swivel at top	670	26¹/₄
P Distance from front of rail to stringer (Wide arm version)	215 (240)	8¹/₂ (9¹/₂)

Power supply input range 120 - 240v AC

Carriage power 24v DC batteries

Motor Power 0.25KW

Method of Drive Rack and Pinion

Maximum Capacity 127kgs (19.9st) (300lbs)*

Maximum Capacity HD version 159kg (25st) (350lbs)*

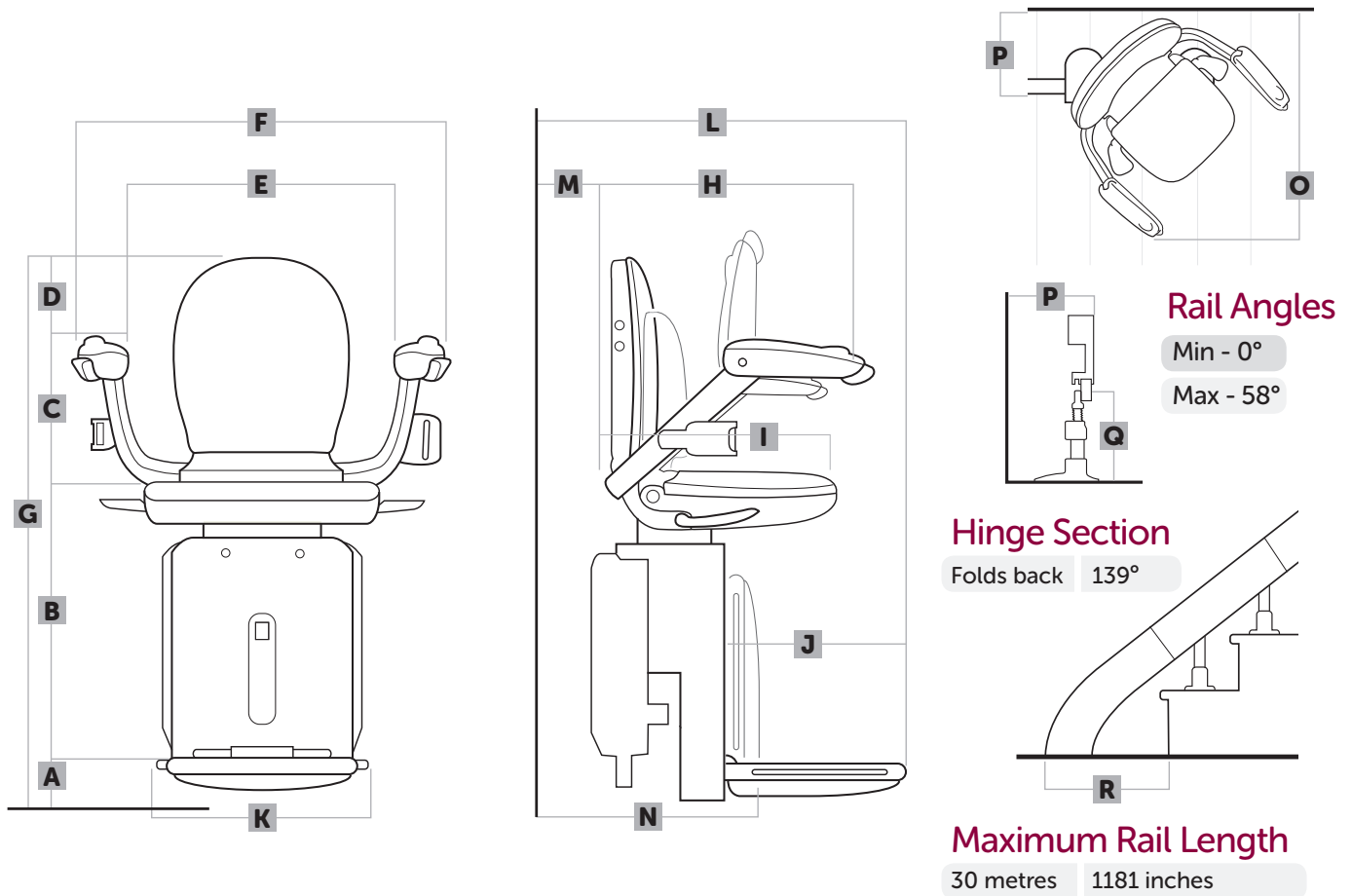
Motor Output Speed No greater than 0.15 m/s

Measurements are only a guide and subject to site and client survey.

*300lbs / 350lbs reference applies to the USA / CANADA certification ONLY.



Acorn 180 Curved



Specifications

Dimensions

	mm	inch
A Floor to top of footrest	50	2
B Top of footrest to top of seat	485	19
C Top of seat to top of arms	245	9³/₄
D Top of arms to top of seat back	195	7³/₄
E Width between armrests	480	19
F Overall width including seatbelt	620	24¹/₂
G Overall height	975	38¹/₄
H Length of arms from seat back	460	18
I Length of seat base from seat back	435	17
J Length of footrest	360	14¹/₄
K Width of footrest	335	13¹/₄
L Front of footrest to stringer	640	25¹/₄
M Back of seat to stringer	35	1¹/₂
N Folded width	335	13¹/₄
O Minimum width required to swivel at top	690	27¹/₄
P Distance from front of rail to stringer	180	7
Q Height of leg	125_(min) 680_(max)	5_(min) 26³/₄_(max)
R Front of drop nose to first stair	450	17³/₄

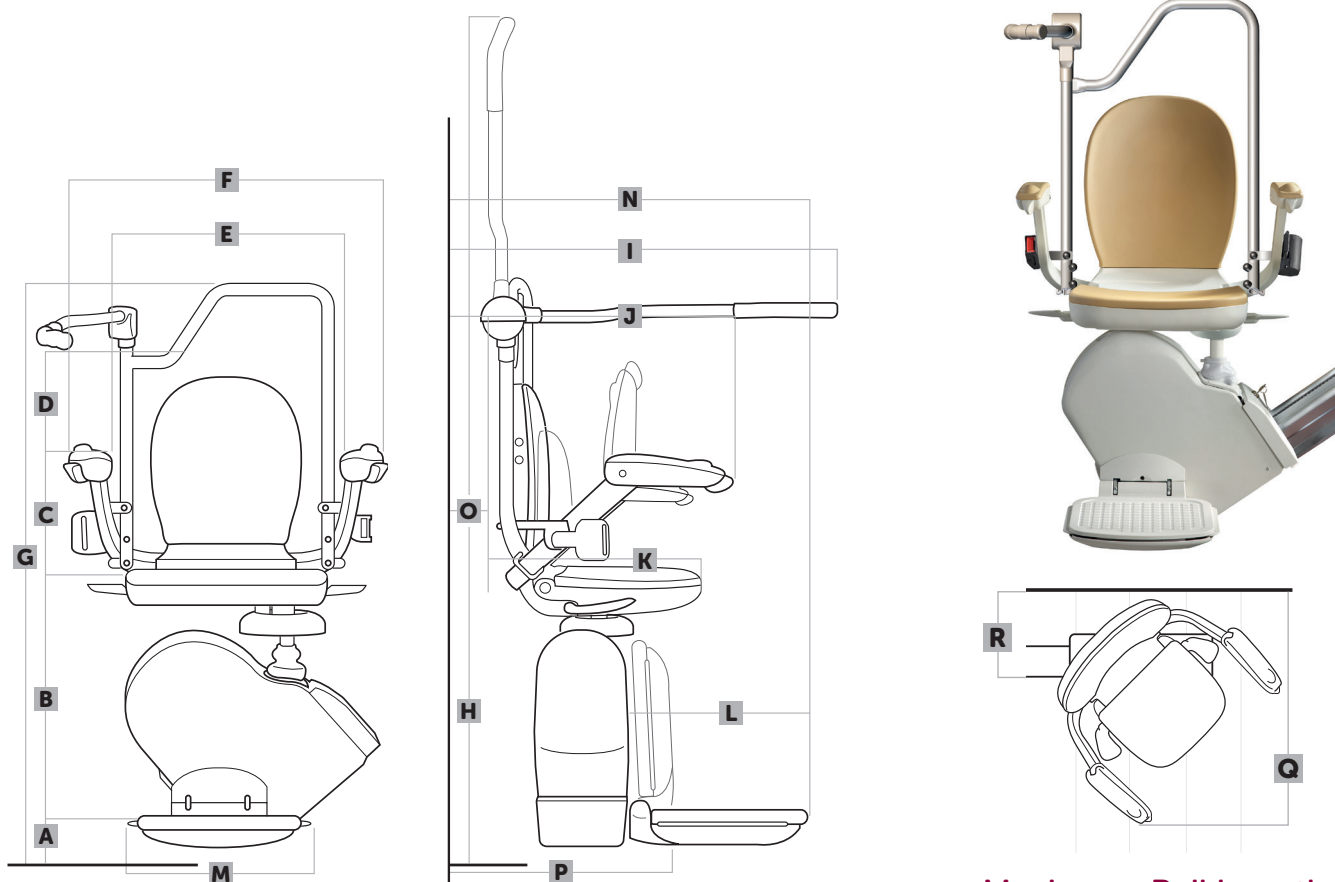
Power supply input range 100 - 240v AC
Carriage power 29.6v DC batteries
Motor Power 0.375KW

Maximum Capacity 120kgs (18.8st) (264lbs)
Motor Output Speed No greater than 0.15 m/s
Method of Drive Rack and Pinion

Measurements are only a guide and subject to site and client survey.



Acorn 130 Sit / Stand (indoor only)



Maximum Rail Length

10 metres 394 inches

Specifications

Dimensions

	mm	inch
A Floor to top of footrest	95	3³/₄
B Top of footrest to top of seat	445	17¹/₂
C Top of seat to top of arms	250	9³/₄
D Top of arms to top of seat back	190	7¹/₂
E Width between armrests	445 (495)	17¹/₂ (19¹/₂)
F Overall width	605	23³/₄
G Overall height to hand bar	1220	48
H Overall height with grab rail up	1725	68
I Overall depth with grab rail down (from wall)	620	24¹/₂
J Length of arms from seat back	470	18¹/₂
K Length of seat base from seat back	435	17
L Length of footrest	325	12³/₄
M Width of footrest	310	12¹/₄
N Front of footrest to stringer	570	22¹/₂
O Back of seat to stringer	13	1/2
P Folded width	310	12¹/₄
Q Minimum width required to swivel at top	670	26¹/₄
R Distance from front of rail to stringer	215 (240)	8¹/₂ (9¹/₂)

Power supply input range 120 - 240v AC

Carriage power 24v DC batteries

Motor Power 0.25KW

Maximum Capacity 127kgs (19.9st) (300lbs)

Motor Output Speed No greater than 0.15 m/s

Method of Drive Rack and Pinion

Measurements are only a guide and subject to site and client survey.



ACORN STAIRLIFTS

Acorn Mobility Services Ltd, Telecom House,
Millennium Business Park, Station Road,
Steeton, West Yorkshire, BD20 6RB

**Acorn, in keeping with its policy of continual development,
reserves the right to change specification without prior notice.**

All measurements are approximate. All images are shown
for illustrative purposes only. Product may vary slightly.

All materials copyright © 2018 Acorn Stairlifts Ltd. All rights reserved.

No part of this material may be used for any purpose without prior written permission.
Use without permission is expressly prohibited by law, and may result in civil and criminal penalties.
Photographs and diagrams are used for illustrative purposes only.