

# Range of patient lifts



DUPONT

*Des produits à vivre*



**ALTIS +**



**SAMSOFT +**

*A complete set  
to cope with  
any situation*



**Mini SAMSOFT**



**Transformation kit  
into Mini ALTIS**

For home  
and medical institutions

**SAMERY**



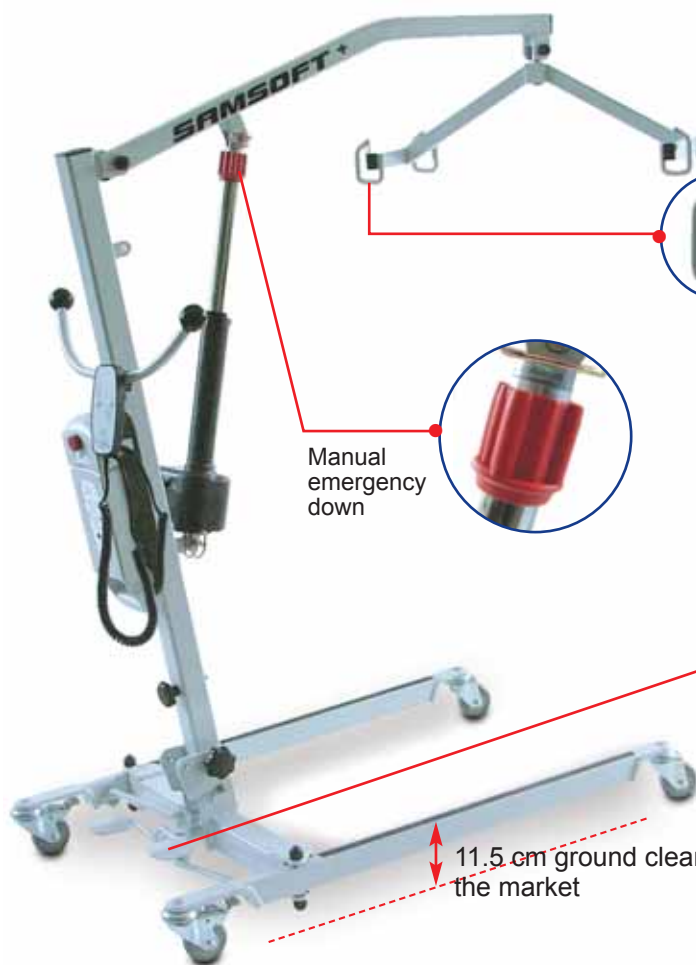
[www.dupont-medical.com](http://www.dupont-medical.com)

# SAMSOFT +

The ideal partner for home care



3-YEAR WARRANTY  
Except for battery pack  
and remote control

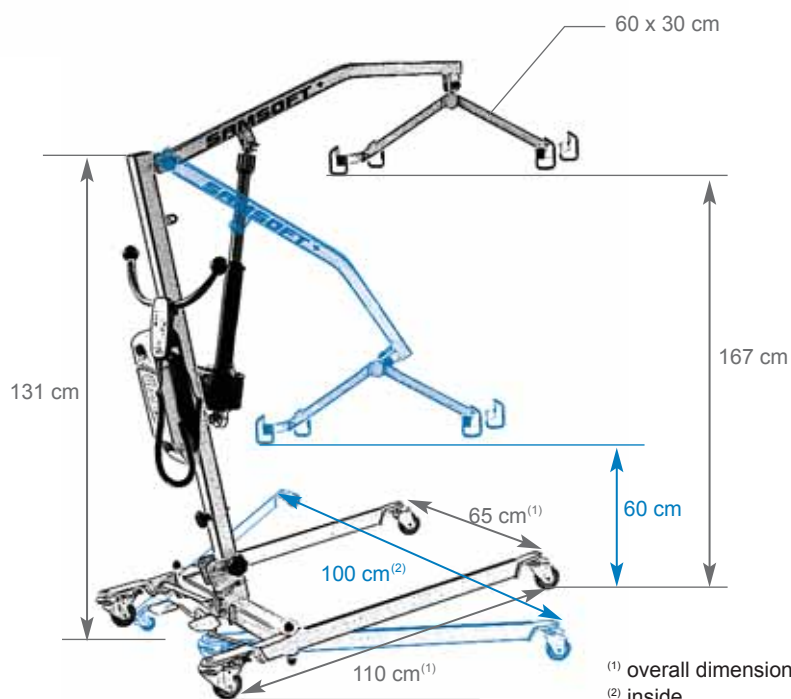


Beam equipped with  
4 backstop fasteners  
for sling

Manual  
emergency  
down

Large stability and perfect manoeuvrability,  
thanks to the adjustable spacing of the  
base and to the caster quality

11.5 cm ground clearance allowing to pass under all the beds in  
the market



<sup>(1)</sup> overall dimensions  
<sup>(2)</sup> inside

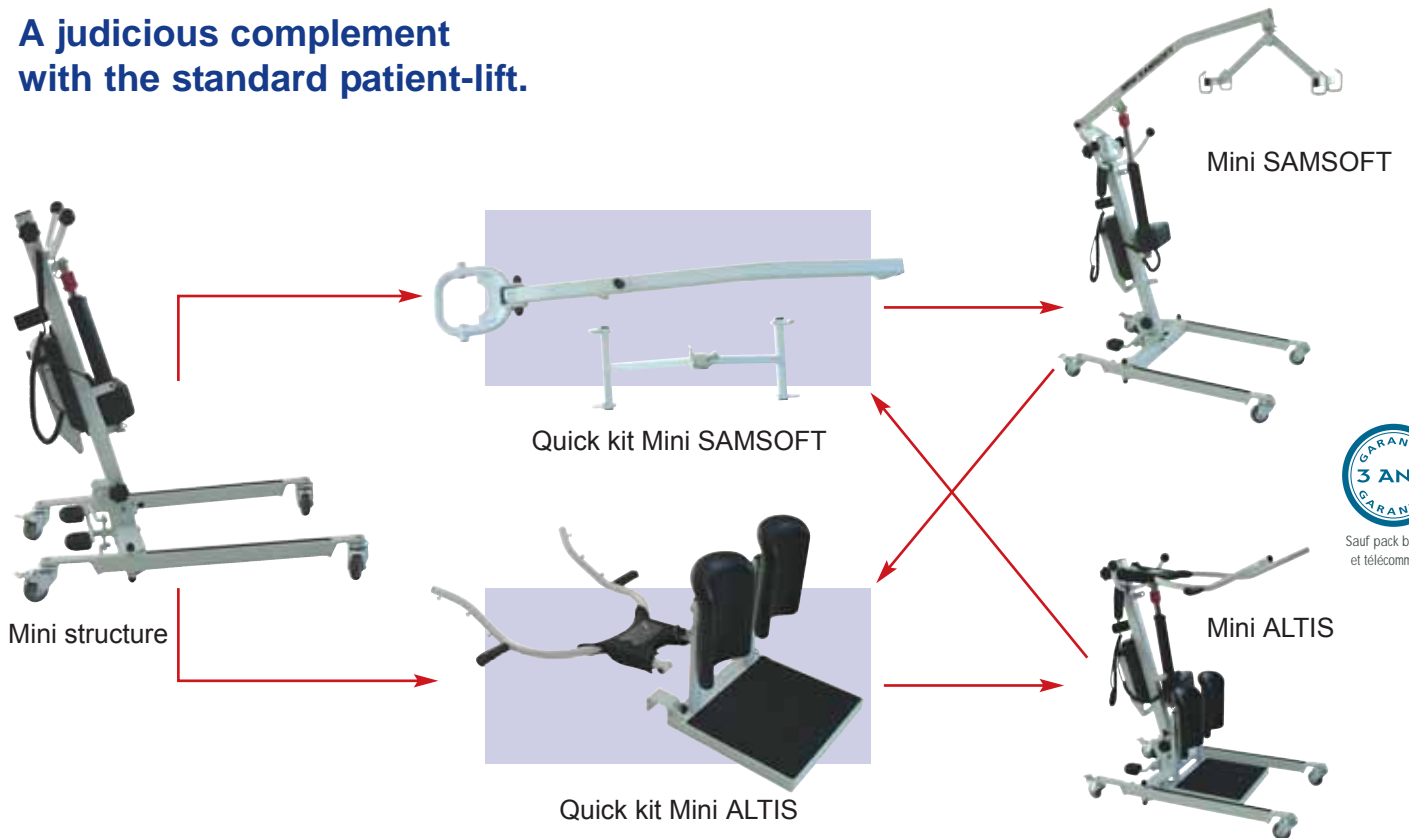


Folding without any tool. Since all the components are locked in folded position, the equipment is compact, and can be easily carried.

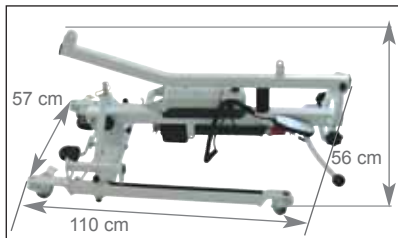
# DUPONT MEDICAL innovates with the convertible Mini structure

into Mini Samssoft or into Mini Altis

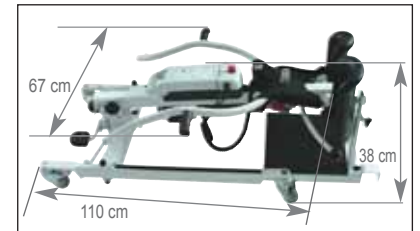
A judicious complement with the standard patient-lift.



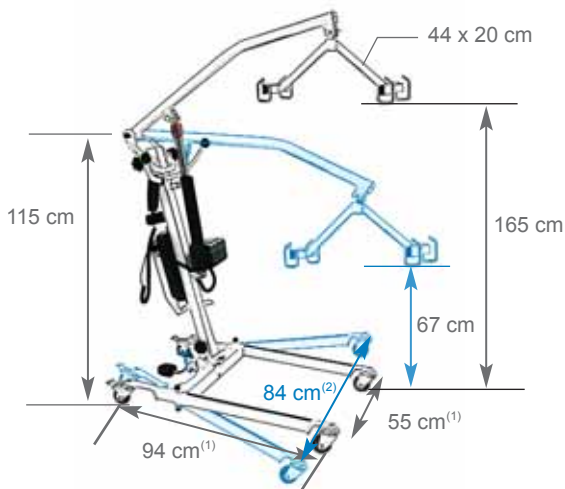
Mini Samssoft folded



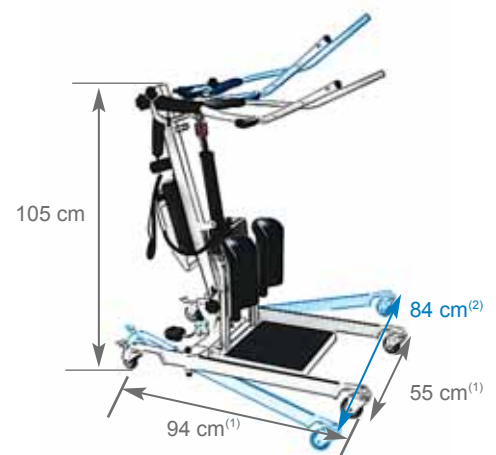
Mini Altis folded



**Change function very rapidly thanks to the quick kits and fold them as quickly!**



Thanks to the double articulation of mini Samssoft, the lift height is similar to a standard patient lift and the gravity centre position of the device ensures stability (the beam does not exceed the base area)



Large compactness of the base, folded or unfolded

<sup>(1)</sup> Overall  
<sup>(2)</sup> Inside

# ALTIS +

*Valuable and securing help for care networks.  
To reach standing posture without any effort or risk!*



3-YEAR WARRANTY  
Except for battery pack  
and remote control



3 different attachments for the lifting sling, depending on the patient's size and the desired transfer speed

Height adjustable and hinged tibial support

Wide and securing foot-rest board



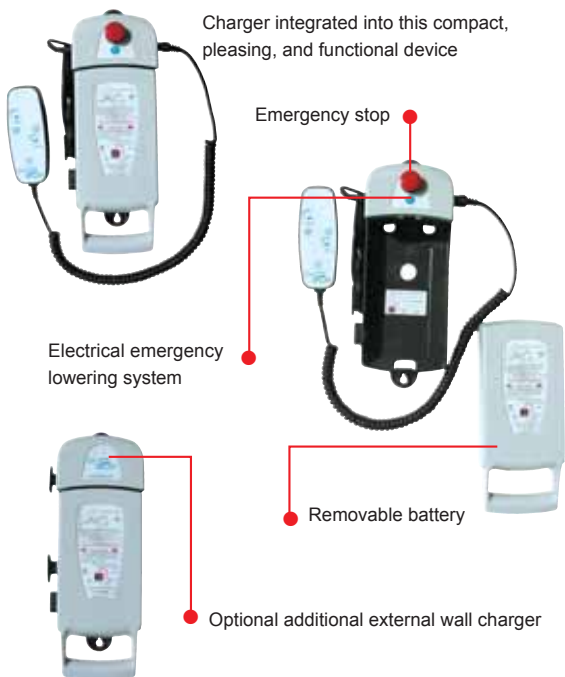
ALTIS+  
folded

Folding without any tool.  
Easy transport

High stability and perfect manoeuvrability, thanks to the adjustable spacing of the base and to the caster quality

11.5 cm ground clearance allowing to pass under all the beds in the market

## A POWER / CYLINDER DEVICE COMMON TO THE 4 PATIENT LIFTS



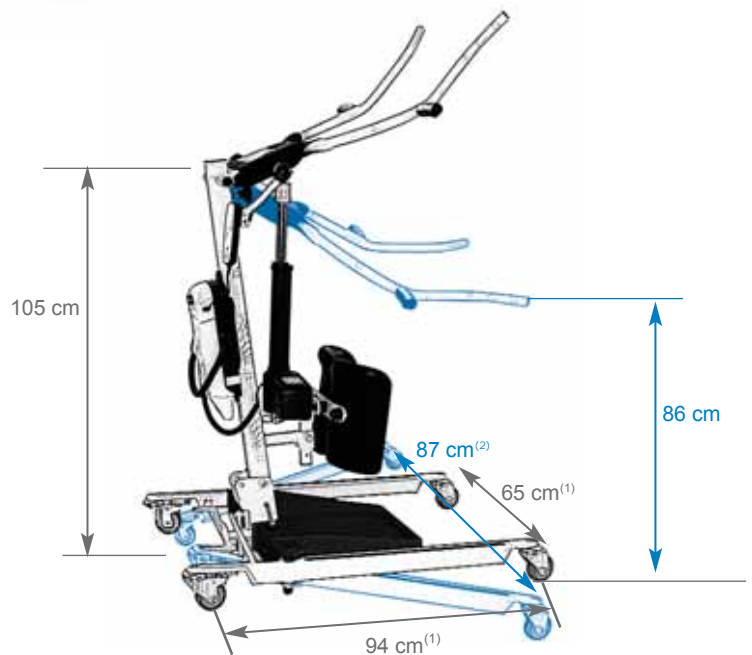
Charger integrated into this compact, pleasing, and functional device

Emergency stop

Electrical emergency lowering system

Removable battery

Optional additional external wall charger



105 cm

86 cm

87 cm<sup>(2)</sup>

65 cm<sup>(1)</sup>

94 cm<sup>(1)</sup>










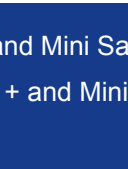

<sup>(1)</sup> overall  
<sup>(2)</sup> inside





# Range of available options and slings

## SLINGS

Désignation	Size	Description	Reference	Destination
Toileting sling	Medium		SA 6390100	Samsoft +, Mini Samsoft, Samlight
Toileting sling	Large		SA 6390110	Samsoft +, Mini Samsoft, Samlight
PVC	Medium		SA 6390200	Samsoft +, Mini Samsoft, Samlight
PVC	Large		SA 6390210	Samsoft +, Mini Samsoft, Samlight
Anatomical comfort	Medium		SR 3402000	Samsoft +, Mini Samsoft, Samlight
Anatomical comfort	Large		SR 3403000	Samsoft +, Mini Samsoft, Samlight Or other 4-point beam patient-lifts
Integral comfort	Medium		SR 3502000	Samsoft +, Mini Samsoft, Samlight
Integral comfort	Large		SR 3503000	Samsoft +, Mini Samsoft, Samlight Or other 4-point beam patient-lifts
Hammock sling (bath)	One size		SA 6390500	Samsoft +, Mini Samsoft, Samlight Or other 4-point beam patient-lifts
Toilet hammock sling	One size		SA 6390600	Samsoft +, Mini Samsoft, Samlight Or other 4-point beam patient-lifts
Lumbar sling	Medium		SA 6420000	Altis +, Mini Altis
Lumbar sling	Large		SR 4001110	Altis +, Mini Altis

For more details, refer to the documentation specific to slings

## KIT

Kit Mini SAMSOFT



SA 6350500

Kit Mini ALTIS



SA 6450500

## WEIGHING SYSTEMS

Medical class III weighing system for Samsoft + and Mini Samsoft


Medical no-class III weighing system for Samsoft + and Mini Samsoft

Please, ask us.


# Range of patient lifts

## TECHNICAL DATA


### ALTIS + (réf. SA 641 0000)

Lifting capacity :	150 kg
Handle width :	69 cm
Frame height :	106 cm
Frame width (overall):	67 cm
Frame length (overall):	93 cm
Ground clearance :	11.5 cm
Inside spacing of the footing:	51 to 86 cm
Folded height :	34 cm
Folded length :	110 cm
8000 N cylinder:	crash-resistant and releasable / equipped with a manual emergency down ring
Power box:	24 volts / emergency stop
1 function remote control:	up / down
Autonomy (up / down): (with a 100kg load)	40 cycles
Structure :	steel
Coating:	white epoxy
2 front wheels :	Ø 75 mm
2 rear wheels equipped with brakes :	Ø 75 mm
Net weight of the device :	43.50 kg
Gross weight of the device :	48 kg
Tibial support:	hinged and flexible height adjustment
Standards:	NF-EN-ISO 10535 - IP 56
Marking	


### SAMSOFT + (réf. SA 632 0000)\*

Lifting capacity :	150 kg
Frame width (overall):	70 cm
Frame length (overall):	111 cm
Maximum height :	164 cm
Minimum height :	58 cm
Ground clearance :	11.5 cm
Inside spacing of the footing:	57 to 88 cm
Folded height:	36 cm
Folded length:	138 cm
8000 N cylinder:	crash-resistant and releasable / equipped with a manual emergency down ring
Power box:	24 volts / emergency stop
1 function remote control:	up / down
Autonomy (up / down): (with a 100kg load)	40 cycles
Structure :	steel
Coating:	white epoxy
2 front wheels:	Ø 75 mm
2 rear wheels equipped with brakes:	Ø 75 mm
Net weight of the device:	41.50 kg
Gross weight of the device:	45.50 kg
Standards:	NF-EN-ISO 10535 - IP 56
Marking	
*Quotations measured without the scale	

### Mini ALTIS (réf. SA 645 0000)

Lifting capacity :	150 kg
Handle width inside/outside :	40 cm/67 cm
Frame height :	106 cm
Frame width (overall):	59 cm
Frame length (overall) :	93 cm
Ground clearance :	8 cm
Inside spacing of the footing :	45 to 69 cm
Folded height	39 cm
Folded length :	111 cm
8000 N cylinder:	crash-resistant and releasable / equipped with a manual emergency down ring
Power box:	24 volts / emergency stop
1 function remote control:	up / down
Autonomy (up / down): (with a 100kg load)	40 cycles
Structure:	steel
Coating:	white epoxy
2 front wheels:	Ø 50 mm
2 rear wheels equipped with brakes:	Ø 50 mm
Weight of the device:	43 kg
Tibial support:	height adjustment
Standards:	NF-EN-ISO 10535 - IP 56
Marking	

### Mini SAMSOFT (réf. SA 635 0000)\*

Lifting capacity	150 kg
Frame width (overall) open/close:	56 cm/71 cm
Frame length (overall):	93 cm
Height :	54 to 160 cm
Ground clearance:	8 cm
Inside spacing of the footing :	45 to 69 cm
Folded height (structure only) :	28 cm
Folded height (Complete structure) :	55 cm
Folded length :	111 cm
8000 N cylinder:	crash-resistant and releasable / equipped with a manual emergency down ring
Power box:	24 volts / emergency stop
1 function remote control:	up / down
Autonomy (up / down): (with a 100kg load)	40 cycles
Structure:	steel
Coating:	white epoxy
2 front wheels:	Ø 50 mm
2 rear wheels equipped with brakes:	Ø 50 mm
Weight of the device:	40 kg
Standards :	NF-EN-ISO 10535 - IP 56
Marking	
*Quotations measured without the scale	

All the pictures are not contractual and DUPONT MEDICAL is entitled to modify some of the elements for manufacturing or improvement purposes.

Distribué par :

**DUPONT MEDICAL**

BP 19 - ZAC Ban la Dame - 92, rue du train à fil

54390 FROUARD - France

Tel. +33 (0)3 83 495 495 - Fax +33 (0)3 83 495 496

<http://www.dupont-medical.com>

**SAMERY**   
www.dupont-medical.com